

PEDESTRIAN GATE GAT85

PEDESTRIAN GATE

DESIGNED TO PREVENT UNAUTHORIZED ACCESS AND ENSURE THE SAFETY OF PEDESTRIANS IN FORKLIFT OPERATION AREAS. IT AUTOMATICALLY CLOSES TO PREVENT OVERSTEPPING, THEREBY AVOIDING POTENTIAL ACCIDENTS AND PROTECTING PEOPLE'S WELL-BEING.

APLICACIONES

ACCESO A ZONAS DE CARGA Y DESCARGA DE CAMIONES ENTRADAS Y SALIDAS DE ALMACENES INDUSTRIALES CRUCES PEATONALES EN ÁREAS DE TRÁFICO DE VEHÍCULOS PESADOS

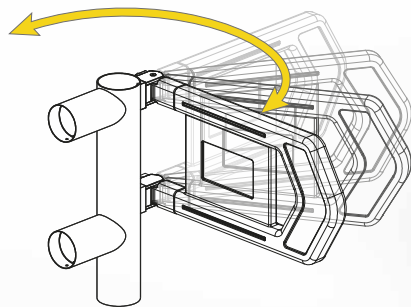
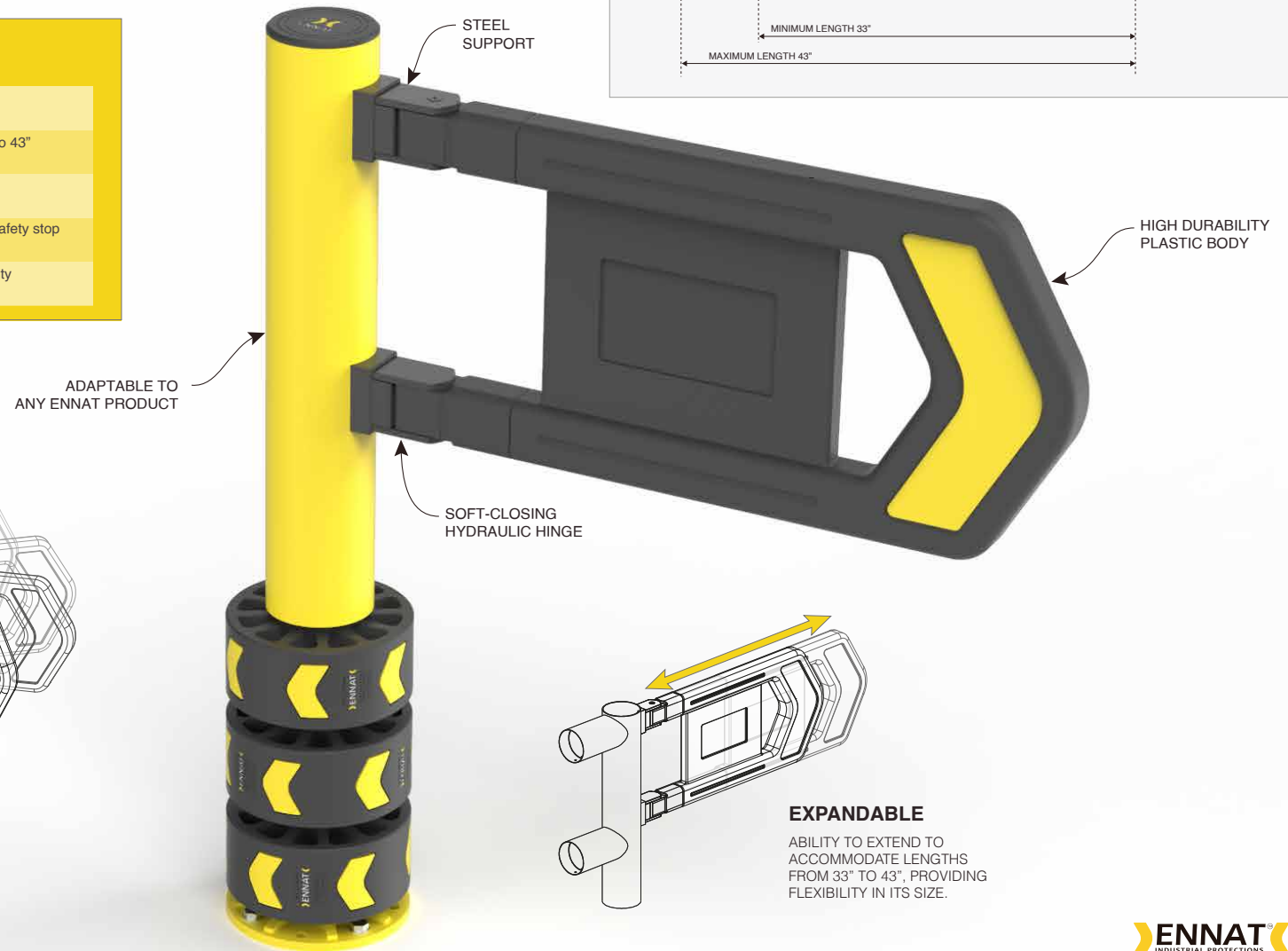
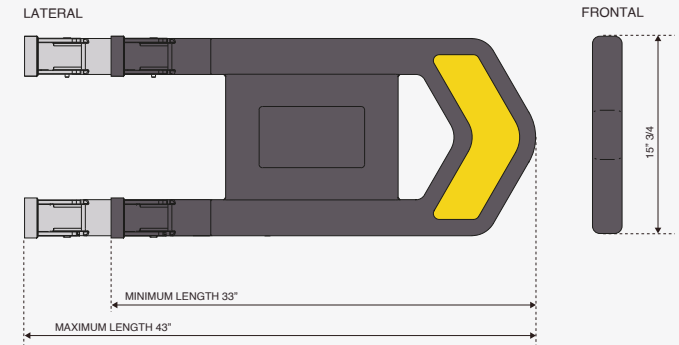
TECHNICAL INFORMATION

Effective Height	15" 3/4
Length	Adjustable from 33" to 43"
Opening	Both sides
Selection of opening side	Yes, by placing the safety stop side
Material	Steel and High Density Polyethylene

HYDRAULIC SELF-CLOSING HINGE

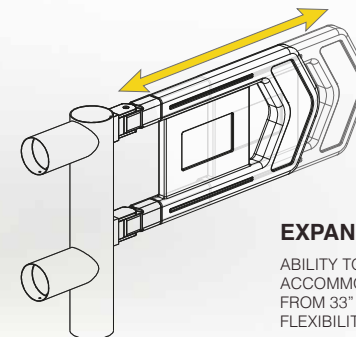
THE HYDRAULIC SELF-CLOSING HINGE IS A SAFE AND EFFICIENT MECHANISM THAT ENSURES THE AUTOMATIC CLOSING OF DOORS AND GATES. ITS HYDRAULIC OPERATION ELIMINATES THE NEED FOR MANUAL CLOSURE AND REDUCES THE RISK OF ACCIDENTS. IT PROVIDES PEACE OF MIND BY ENSURING RELIABLE CLOSURE AND PROTECTION FOR PEDESTRIANS AND OPERATING EQUIPMENT. DESIGNED WITH ROBUSTNESS FOR LONG-LASTING PERFORMANCE.

DIMENSIONS (in)



OPENING RANGE

ABILITY TO OPEN IN BOTH DIRECTIONS THROUGH AN OPENING SELECTOR.



EXPANDABLE

ABILITY TO EXTEND TO ACCOMMODATE LENGTHS FROM 33" TO 43", PROVIDING FLEXIBILITY IN ITS SIZE.