

FENCE BARRIER B3-M

FENCE BARRIER

THIS BARRIER IS DESIGNED TO PREVENT ACCIDENTS CAUSED BY SPILLS OF PRODUCTS STORED AT HEIGHT. THE UPPER SECTION IS MADE UP OF A WIRE MESH THAT RETAINS ELEMENTS THAT CAN DAMAGE PEOPLE WHO MOVE ON THE OTHER SIDE OF THE BARRIER, WHILE THE LOWER ZONE CAN RESIST THE POTENTIAL IMPACTS OF MACHINERY TO REDUCE THE NECESSARY REPAIR COSTS THAT NORMALLY PRESENT THIS TYPE OF BARRIERS.

APPLICATIONS

AREAS WHERE THERE IS PEDESTRIAN CIRCULATION AND STORAGE OF PRODUCTS AT HEIGHT, SEGMENTATION OF AREAS TO GENERATE INDIVIDUAL STORAGE UNITS, SEPARATION OF BULK STORAGE, HIGH-VALUE OBJECTS CAN BE SAFELY STORED, ETC.

TECHNICAL INFORMATION

Effective Protection Height	7' 4" (2350mm)
Length	According to Requirement
T° Range	-20°C a 70°C
Surface Finish	Yellow Electrostatic Paint
Anchor Type	1/2" x 4 1/4" Anchor Bolt (4 units per base)
Materiality	ASTM A36 Steel / NR Rubber

IMPACT ABSORPTION

ENERGY ABSORPTION THANKS TO THE MATERIAL'S ACTIVE MEMORY



4,0Ton



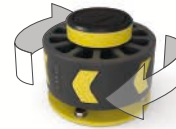
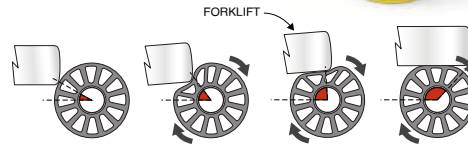
5,3 Mph

IMPACT OVER THE RUBBER PROTECTED BASE



ROTATION

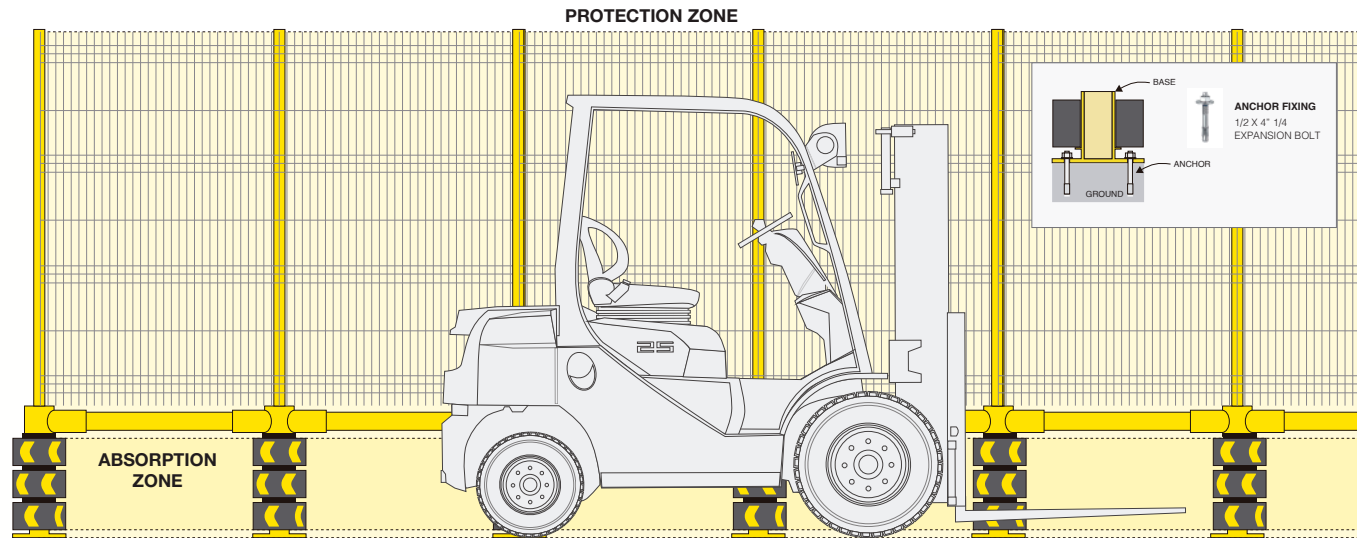
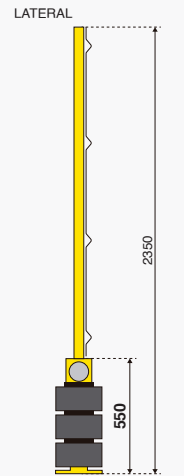
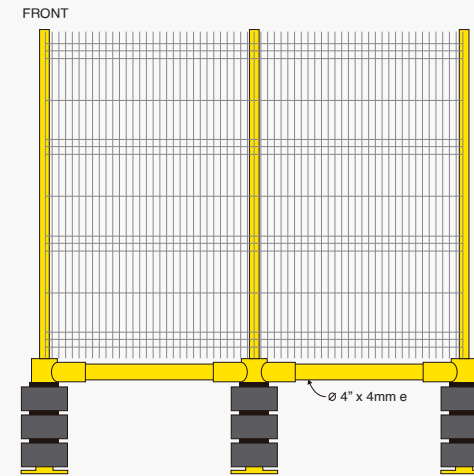
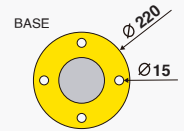
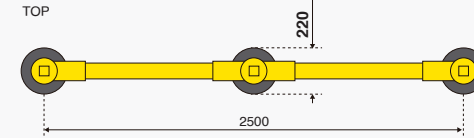
FUNCTIONALITY TO REDIRECT THE FORKLIFT FORWARD DIRECTION



PATENT PENDING

VSOL N°CL201903518 - 02/12/2019

DIMENSIONS (mm)



* LENGTHS AND CONFIGURATION ACCORDING TO SPECIFIC REQUIREMENTS

